





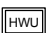







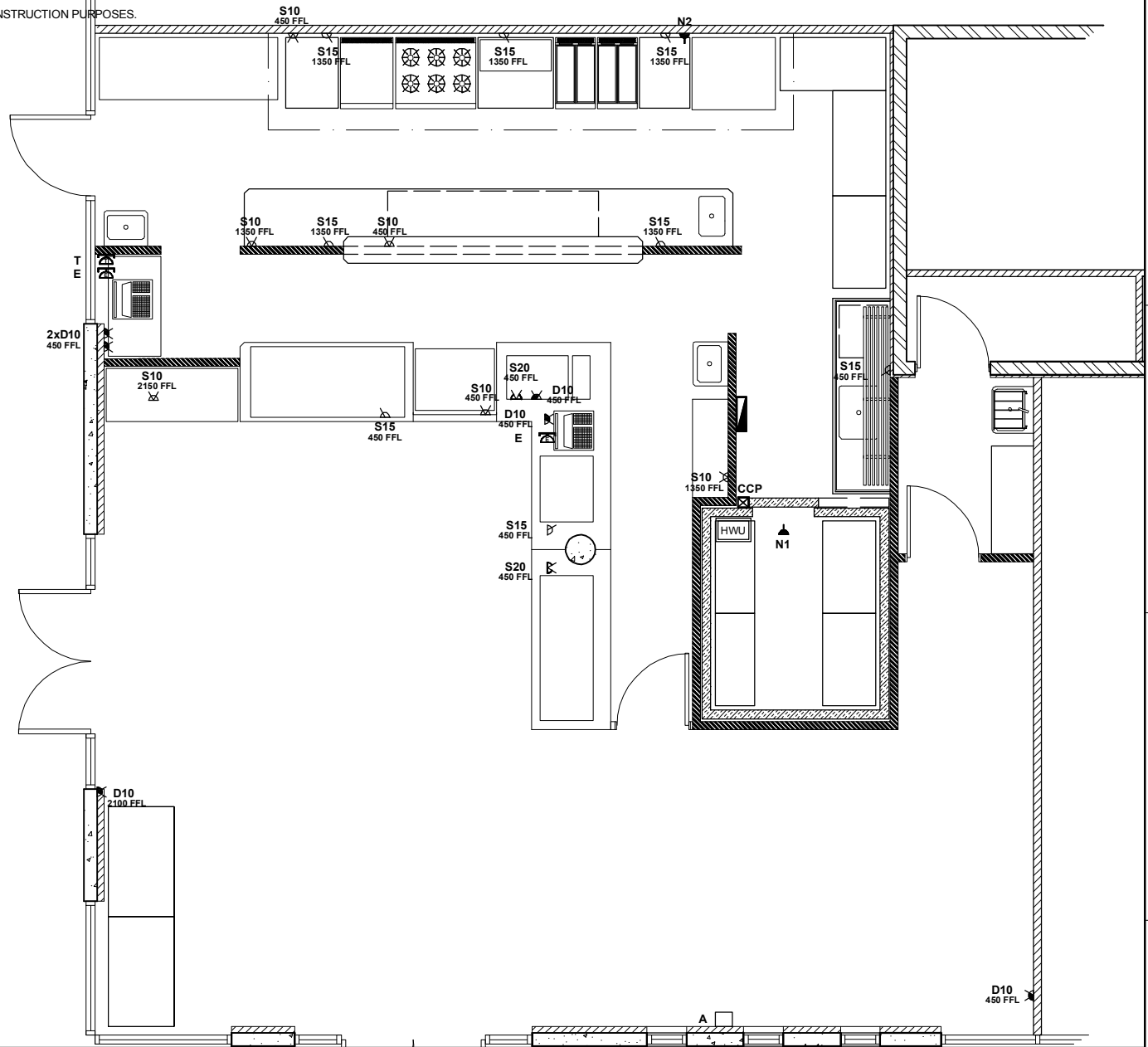


NOTE: THIS IS NOT A ELECTRICAL ENGINEERING DRAWING, HENCE SHOULD NOT BE USED FOR CONSTRUCTION PURPOSES.

LEGEND:

- S10  SINGLE 10Amp GPO
- S15  SINGLE 15Amp GPO
- S20  SINGLE 20Amp GPO
- D10  DOUBLE 10Amp GPO
- T  TELEPHONE CONNECTION
- E  EFTPOS CONNECTION
-  HOT WATER UNIT - 50L 3 phase quick recovery with safety tray
-  EXHAUST CANOPY SWITCH
- CCP  COLD ROOM CONTROL PANEL
-  CONDENSING UNIT with 15Amp waterproof point in ceiling cavity
- N1  3 PHASE ISOLATOR in ceiling cavity wired to quick recovery, 50 litre hot water unit (20 amps per phase)
- N2  3 PHASE 32 Amps per phase circuit to isolator plus connection to combi steamer
-  ELECTRICAL DISTRIBUTION BOARD
- A  10amp circuit to isolator for future signage



XXX-104

ELECTRICAL LAYOUT

1:50

- THESE PLANS REMAIN THE PROPERTY OF HDC AND SHOULD NOT BE COPIED OR DISTRIBUTED WITHOUT PRIOR CONSENT. ALL DRAWINGS ARE SUBJECT TO COPYRIGHT LAWS.

- THESE PLANS ARE NOT TO BE USED FOR CONSTRUCTION PURPOSES AND ARE ONLY A GUIDELINE FOR THE SERVICES REQUIRED. EG- HYDRAULICS, LIGHTING, ELECTRICAL, ETC.

- ONLY WRITTEN MEASUREMENTS SHOULD BE CONSIDERED. DO NOT SCALE OFF THE PLANS. PLEASE CALL TO VERIFY DIMENSIONS IF YOU ARE UNSURE.

- PLANS DRAWN TO FIT ON A3 PAPER SIZE ONLY. EMAILED, PHOTOCOPIED, OF PDF FORMATTED DRAWINGS MAY NOT BE TO SCALE.

- CONTRACTORS SHOULD VERIFY SITE MEASUREMENTS AND CONDITIONS BEFORE STARTING WORKS. ALL WORKS TO COMPLY WITH THE RELEVANT AUSTRALIAN STANDARDS AND THE RELEVANT LOCAL AUTHORITY LAWS.

- DRAWINGS SUBJECT TO CHANGE AT ANYTIME WITHOUT NOTIFICATION.

REVISIONS:

| DATE: | ISSUE: | AMENDMENT: | APPROVED BY: |
|-------|--------|------------|--------------|
| | | | |
| | | | |
| | | | |
| | | | |

SCALE: 1: 50 ON A3 PAPER ONLY
 DRAWN BY: DJS DATE: XX-XX-09

CLIENT:

PROJECT:

SITE ADDRESS:

TITLE:

ELECTRICAL LAYOUT



BSA No. 648693
 PO Box 1041,
 COORPAROO DC 4151

E : hdc@hdconline.com.au
 W : www.hdconline.com.au

T : 07 3399 7477

F : 07 3399 7577

DRAWING NO:

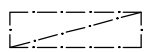
XXX-104

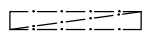
ISSUE:

01


NOTE: THIS IS NOT A LIGHTING ENGINEERING DRAWING, HENCE SHOULD NOT BE USED FOR CONSTRUCTION PURPOSES.


LEGEND:

 Twin 36 Watt recessed troffers with diffusers -1236 x 336mm

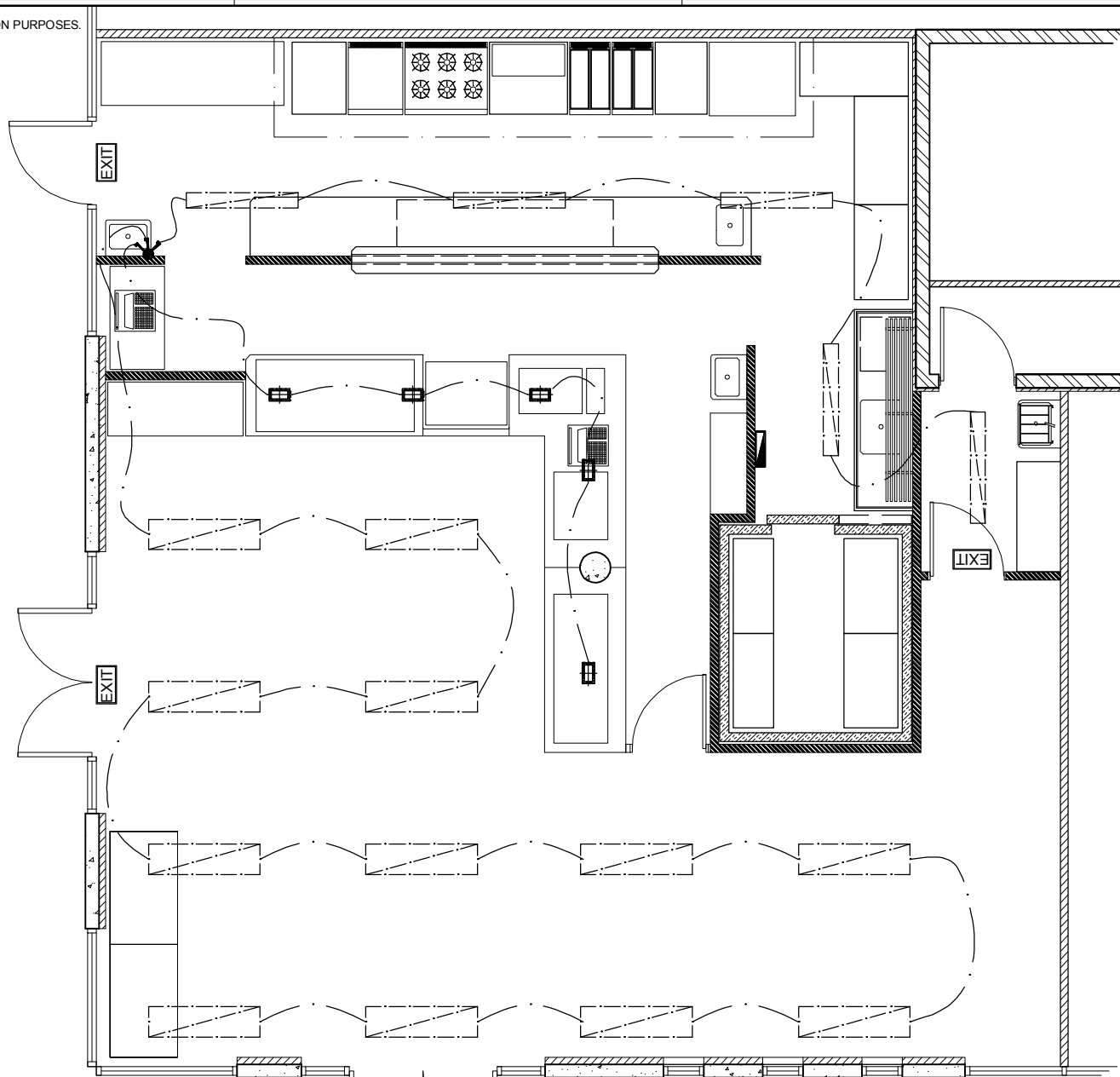
 Twin 36 Watt surface mounted fluros with diffusers 1229 x 145mm

 Recessed low voltage (150 watt) Fluro downlights

 Three gang light switch

 Illuminated exit light

 ELECTRICAL DISTRIBUTION BOARD



XXX-105

LIGHTING LAYOUT

1:50

- THESE PLANS REMAIN THE PROPERTY OF HDC AND SHOULD NOT BE COPIED OR DISTRIBUTED WITHOUT PRIOR CONSENT. ALL DRAWINGS ARE SUBJECT TO COPYRIGHT LAWS.

- THESE PLANS ARE NOT TO BE USED FOR CONSTRUCTION PURPOSES AND ARE ONLY A GUIDELINE FOR THE SERVICES REQUIRED. EG- HYDRAULICS, LIGHTING, ELECTRICAL, ETC.

- ONLY WRITTEN MEASUREMENTS SHOULD BE CONSIDERED. DO NOT SCALE OFF THE PLANS. PLEASE CALL TO VERIFY DIMENSIONS IF YOU ARE UNSURE.

- PLANS DRAWN TO FIT ON A3 PAPER SIZE ONLY. EMAILED, PHOTOCOPIED, OF PDF FORMATTED DRAWINGS MAY NOT BE TO SCALE.

- CONTRACTORS SHOULD VERIFY SITE MEASUREMENTS AND CONDITIONS BEFORE STARTING WORKS. ALL WORKS TO COMPLY WITH THE RELEVANT AUSTRALIAN STANDARDS AND THE RELEVANT LOCAL AUTHORITY LAWS.

- DRAWINGS SUBJECT TO CHANGE AT ANYTIME WITHOUT NOTIFICATION.

REVISIONS:

| DATE: | ISSUE: | AMENDMENT: | APPROVED BY: |
|-------|--------|------------|--------------|
| | | | |
| | | | |
| | | | |
| | | | |
| | | | |

SCALE: 1: 50 ON A3 PAPER ONLY
 DRAWN BY: DJS DATE: XX-XX-09

CLIENT:

PROJECT:

SITE ADDRESS:

TITLE:

LIGHTING LAYOUT



BSA No. 648693
 PO Box 1041,
 COORPAROO DC 4151

E : hdc@hdconline.com.au
 W : www.hdconline.com.au

T : 07 3399 7477

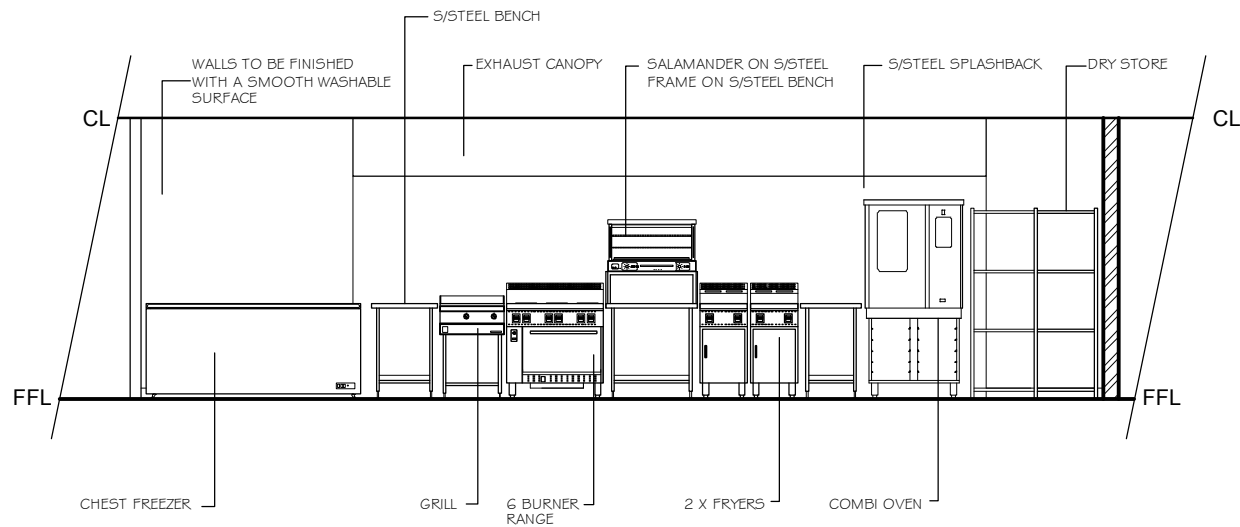
F : 07 3399 7577

DRAWING NO:

XXX-105

ISSUE:

01



XXX-107

ELEVATION 1
1:50

- THESE PLANS REMAIN THE PROPERTY OF HDC AND SHOULD NOT BE COPIED OR DISTRIBUTED WITHOUT PRIOR CONSENT. ALL DRAWINGS ARE SUBJECT TO COPYRIGHT LAWS.

- THESE PLANS ARE NOT TO BE USED FOR CONSTRUCTION PURPOSES AND ARE ONLY A GUIDELINE FOR THE SERVICES REQUIRED. EG- HYDRAULICS, LIGHTING, ELECTRICAL, ETC.

- ONLY WRITTEN MEASUREMENTS SHOULD BE CONSIDERED. DO NOT SCALE OFF THE PLANS. PLEASE CALL TO VERIFY DIMENSIONS IF YOU ARE UNSURE.

- PLANS DRAWN TO FIT ON A3 PAPER SIZE ONLY. EMAILED, PHOTOCOPIED, OR PDF FORMATTED DRAWINGS MAY NOT BE TO SCALE.

- CONTRACTORS SHOULD VERIFY SITE MEASUREMENTS AND CONDITIONS BEFORE STARTING WORKS. ALL WORKS TO COMPLY WITH THE RELEVANT AUSTRALIAN STANDARDS AND THE RELEVANT LOCAL AUTHORITY LAWS.

- DRAWINGS SUBJECT TO CHANGE AT ANYTIME WITHOUT NOTIFICATION.

REVISIONS:

| DATE: | ISSUE: | AMENDMENT: | APPROVED BY: |
|-------|--------|------------|--------------|
| | | | |
| | | | |
| | | | |
| | | | |
| | | | |
| | | | |
| | | | |

SCALE: 1: 50 ON A3 PAPER ONLY
DRAWN BY: DJS DATE: XX-XX-09

CLIENT:

PROJECT:

SITE ADDRESS:

TITLE:

ELEVATION 1



BSA No. 648693
PO Box 1041,
COORPAROO DC 4151

E : hdc@hdconline.com.au
W : www.hdconline.com.au

T : 07 3399 7477

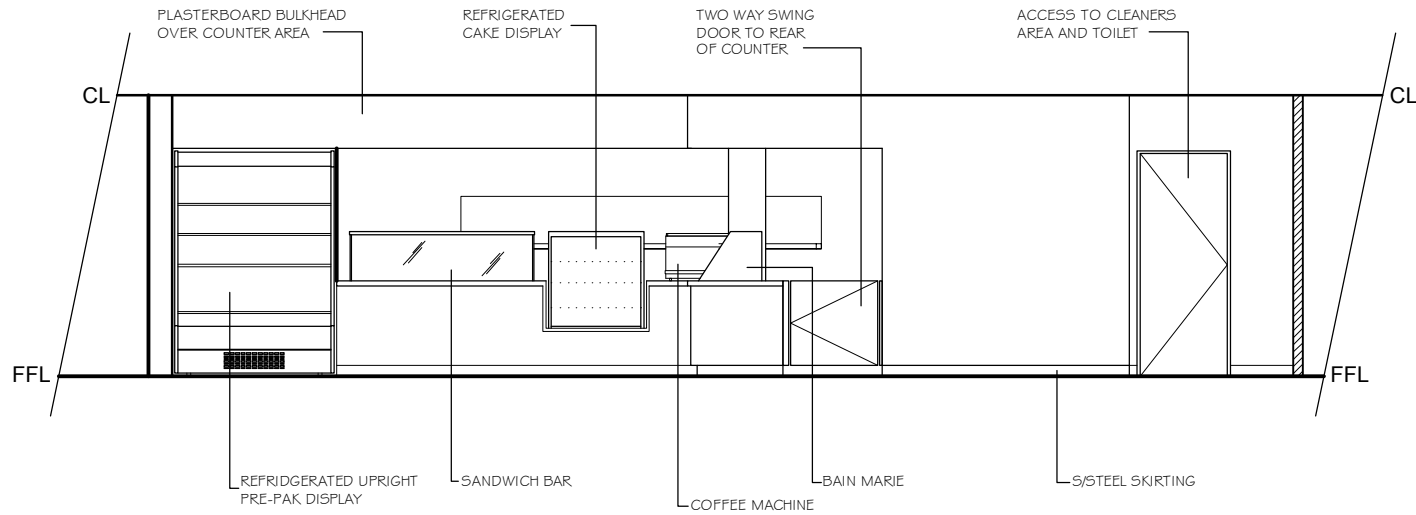
F : 07 3399 7577

DRAWING NO:

XXX-107

ISSUE:

01



XXX-110

ELEVATION 4
1:50

- THESE PLANS REMAIN THE PROPERTY OF HDC AND SHOULD NOT BE COPIED OR DISTRIBUTED WITHOUT PRIOR CONSENT. ALL DRAWINGS ARE SUBJECT TO COPYRIGHT LAWS.

- THESE PLANS ARE NOT TO BE USED FOR CONSTRUCTION PURPOSES AND ARE ONLY A GUIDELINE FOR THE SERVICES REQUIRED. EG- HYDRAULICS, LIGHTING, ELECTRICAL, ETC.

- ONLY WRITTEN MEASUREMENTS SHOULD BE CONSIDERED. DO NOT SCALE OFF THE PLANS. PLEASE CALL TO VERIFY DIMENSIONS IF YOU ARE UNSURE.

- PLANS DRAWN TO FIT ON A3 PAPER SIZE ONLY. EMAILED, PHOTOCOPIED, OR PDF FORMATTED DRAWINGS MAY NOT BE TO SCALE.

- CONTRACTORS SHOULD VERIFY SITE MEASUREMENTS AND CONDITIONS BEFORE STARTING WORKS. ALL WORKS TO COMPLY WITH THE RELEVANT AUSTRALIAN STANDARDS AND THE RELEVANT LOCAL AUTHORITY LAWS.

- DRAWINGS SUBJECT TO CHANGE AT ANYTIME WITHOUT NOTIFICATION.

REVISIONS:

| DATE: | ISSUE: | AMENDMENT: | APPROVED BY: |
|-------|--------|------------|--------------|
| | | | |
| | | | |
| | | | |
| | | | |
| | | | |

SCALE: 1: 50 ON A3 PAPER ONLY

DRAWN BY: DJS DATE: XX-XX-09

CLIENT:

PROJECT:

SITE ADDRESS:

TITLE:

ELEVATION 4



BSA No. 648693
PO Box 1041,
COORPAROO DC 4151

E : hdc@hdconline.com.au
W : www.hdconline.com.au

T : 07 3399 7477

F : 07 3399 7577

DRAWING NO:

XXX-110

ISSUE:

01

